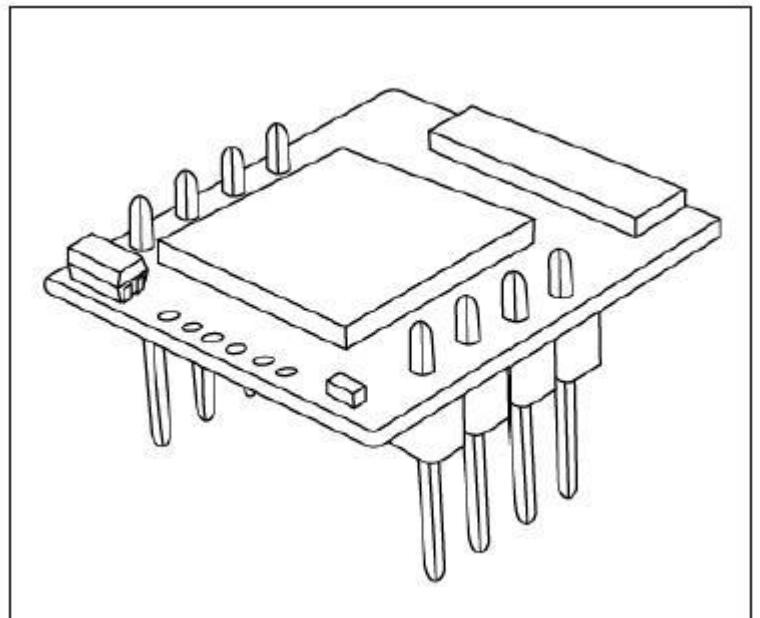


Promi-ESD-02

User Manual

Version 1.1



by Bluetooth

Enabling Wireless Serial Communications

Revision History: User Manual of Promi-ESD-02™

Version	Changed Contents	Date
1.1	Draft version	06/04/2004

Contents

1. Product Description	5
1.1 About Promi-ESD™	5
2. Technical Specifications	6
2.1 Pin Assignment.....	6
2.2 Electrical Characteristics	7
2.3 Hardware Design.....	8
2.4 How to make a RS232 interfaced Jig Board	9
2.5 Power Consumption	10
2.6 Temperature	10
2.7 Serial Interface	11
2.8 Bluetooth Interface	11
3. Configuration	12
3.1 Using Promi-WIN™	12
3.1.1 Making the first Promi-SD™/Bluetooth connection	12
3.1.2 Setting Operating Mode for Automatic Connection	18
3.2. Using a Terminal Program.....	19
3.2.1 Connecting Promi-SD™ to host.	19
3.2.2 Making the first Promi-SD™/Bluetooth connection	20
3.2.3 Making Promi-SD™ do INQUIRY SCAN and PAGE SCAN	21
3.2.4 Releasing the existing Bluetooth connection	22
3.2.5 Automatic connection of two Promi-SD™ Units	23
3.2.6 AT command vs. Operational Status	24
4. For Multi-Serial Connections	26
4.1 Promi-MSP™	26
5. Legal Notice	27
6. About this Manual.....	29

Appendix A: AT command sets.....30

1. Product Description

1.1 About Promi-ESD™

Promi-ESD-02 is a board type of Promi-SD™, Class 2 OEM version, which can be embedded in your applications such as mobile terminals or any kinds of machines for Wireless serial communications of long range, easy-to-install, and low-cost. Provided is point-to-point wireless connection without standard RS232 cables.

For point-to-multipoint connections, please refer to our [Promi-MSP™](#), providing all the features of RS485.

Model Name	Part No.	Spec.
Promi-ESD-02	ESD00-10200	Class 2 / Output Power: 2.5mW (4dBm) 3.3V DC power supply Integrated antenna on the board w/ Setup Software & manual on CD

Specification

- Output Interface UART
- Compliant Bluetooth Specification v1.1
- Transmission Power Class 2(max 4dBm)

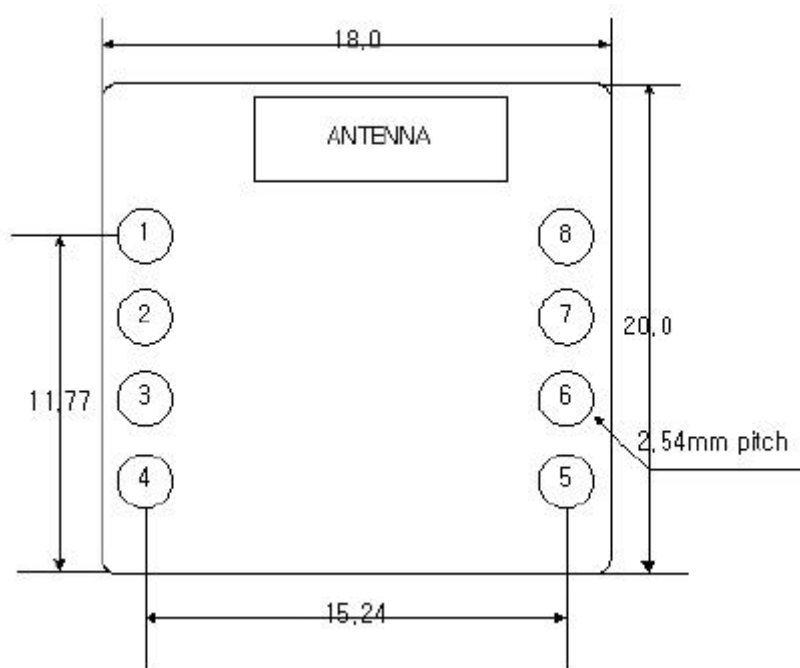
Dimensions: 18 x 20 (mm)



2. Technical Specifications

2.1 Pin Assignment

Physical Dimension



Pin number	Pin name	Direction	Description	Signal Level
1	GND	I	Power Ground	Ground
2	VDD	I	DC input (3.0 ~ 3.3V input)	Power
3	STATUS	O	Status	TTL
4	/RST	I	Reset (Active low)	TTL
5	CTS	I	UART Clear to Send	TTL
6	RTS	O	UART Ready to Send	TTL
7	TXD	O	UART data out	TTL
8	RXD	I	UART data input	TTL

2.2 Electrical Characteristics

Absolute Maximum Ratings		
Operating Condition	Min	Max
Operating Temperature Range	-40°C	85°C
VDD	-0.4V	3.7V

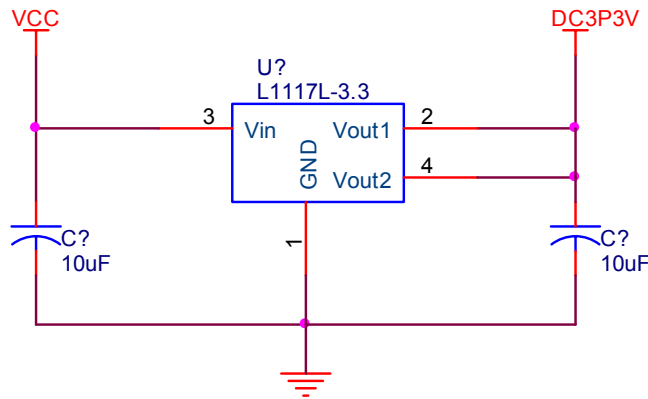
Recommended Operating Conditions		
Operating Condition	Min	Max
Operating Temperature Range	-20°C	70°C
VDD	3.0V	3.6V

※ For safe operation, supply power of 3.3V.

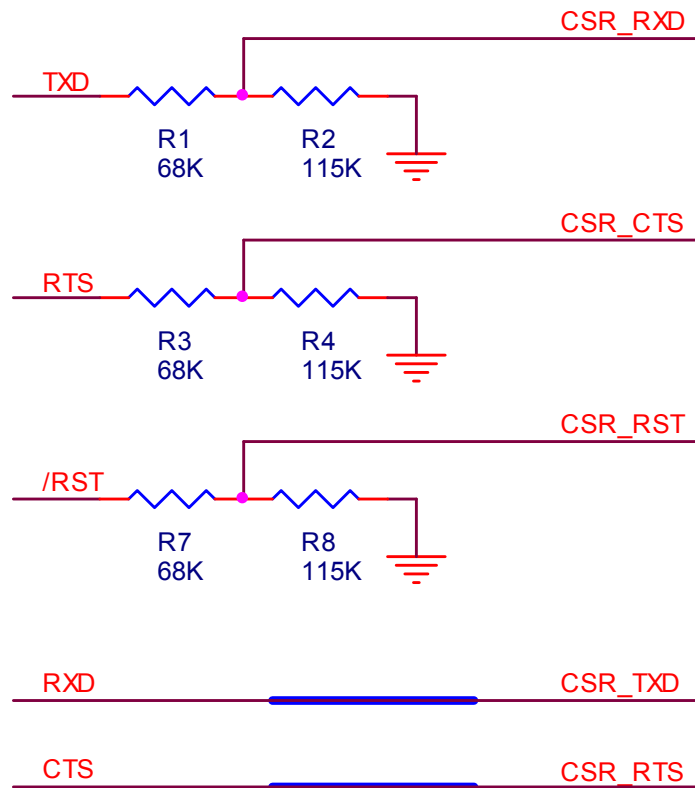
Input/Output Terminal Characteristics				
Digital Terminals	Min	Typ	Max	Unit
Input Voltage				
V _{IL} input logic level low (VDD=3.0V)	-0.4	-	0.8	V
V _{IH} input logic level high	0.7VDD	-	VDD+0.4	V
Output Voltage Input				
V _{OL} output logic level low, (I _o = 4.0mA),	-	-	0.2	V
V _{OH} output logic level high, (I _o = -4.0mA),	VDD-0.2	-	-	V

2.3 Hardware Design

- 1) If you would like to supply 5~12V power to Promi-ESD, you need to regulate the power to be 3.3V as in below. (Min. 100mA regulator)

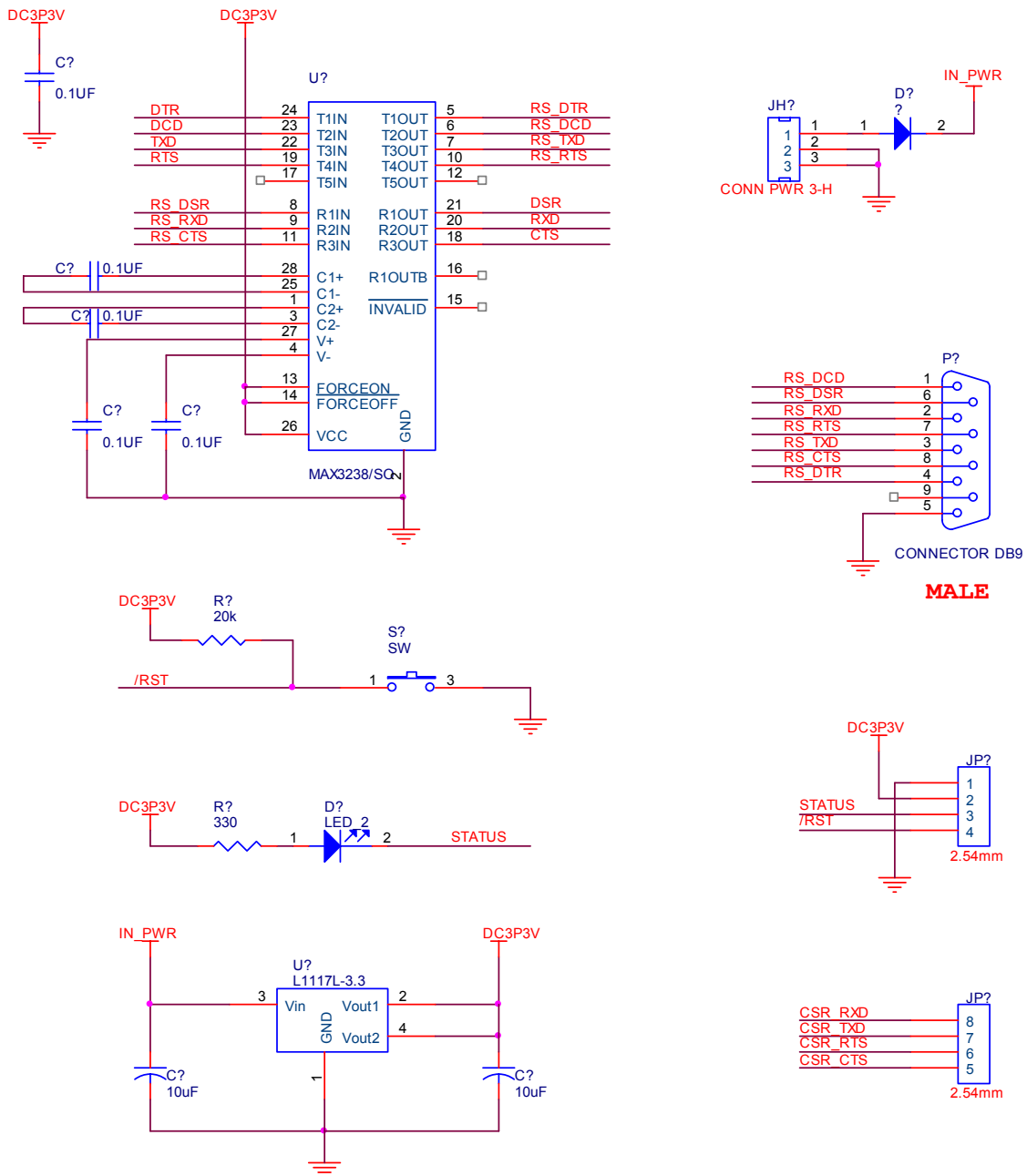


Input to each signals when 5V power supplied.



- 2) If you are not using Hardware flow control (handshaking), please bridge ESD_CTS and ESD_GND to disable the function.

2.4 How to make a RS232 interfaced Jig Board



2.5 Power Consumption

Condition	Current Consumption
If NOT connected to Host	1 mA
If connected to Host	1 mA
For data communications with Host only	8 mA
During INQUIRY mode	48 mA
For Master connection	48 mA
During SCAN (page & inquiry) mode	19 mA
Park mode	8 mA
Non-Park mode	10 mA
Data Com. (9600bps)	28 mA
Data Com. (115000bps)	38 mA

* Low Power Mode

If you want to use low power mode to save power, use AT command "AT+BTLPM".

If you set "AT+BTLPM,1", low power mode will be functioned.

2.6 Temperature

Model No.: Promi-ESD-02

Recommended operating conditions: -20°C~75°C

Storage conditions: -40°C~85°C

2.7 Serial Interface

Model No.: Promi-ESD-02

RS232, 1200~230000 baud,

CTS/RTS flow control or no flow control

2.8 Bluetooth Interface

Bluetooth Specification	V 1.1
Level	4 dBm
Range	~30m
Bluetooth protocols	RFCOMM, L2CAP, SDP
Supported Profiles	General Access Profile Serial Port Profile

3. Configuration

3.1 Using Promi-WIN™

To configure Promi-ESD, you need to prepare RS232 interfaced jig board.

1. Please connect Promi-ESD to RS232 interfaced jig board you prepared.
2. Connect the Jig board to your Host PC.
3. Supply power to the Jig board.
4. Start PromiWIN software on your Host PC and you may configure the Promi-ESD.

Configuration flow of Promi-ESD is same as the flow of Promi-SD.

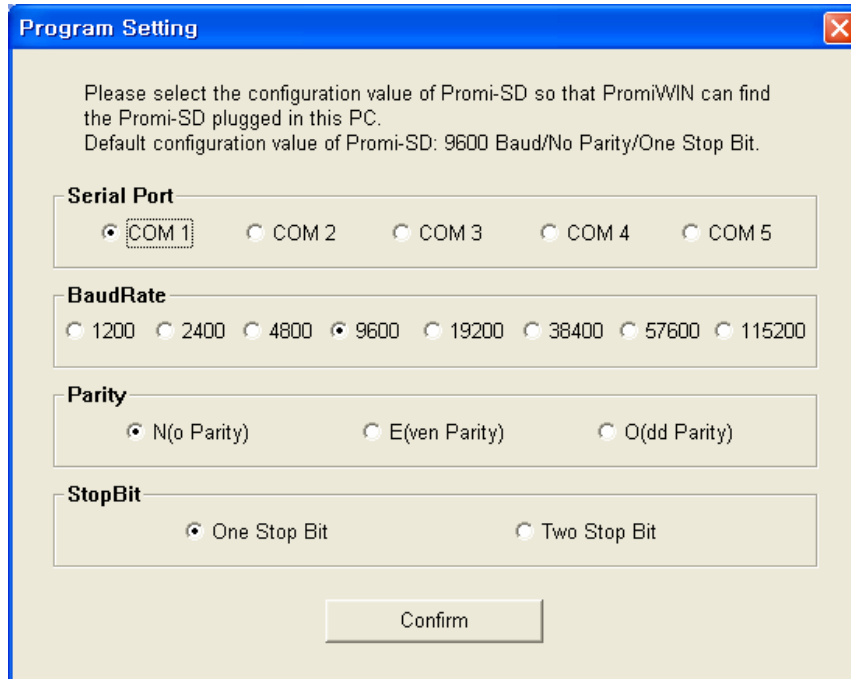
Users may consider Promi-SD as Promi-ESD in the manual below.

3.1.1 Making the first Promi-SD™/Bluetooth connection

To make Bluetooth wireless connections with SD, first connect the SD to a host computer running PromiWIN™ as instructed below. Then activate SD INQUIRY SCAN and PAGE SCAN from PromiWIN™.

Let's suppose there are 2 Promi-ESD™s, SD1 and SD2:

1. Connect the SD1 to a host serial port and turn on the SD.
2. Check the SD1 STATUS LED color. Amber indicates standard mode. Start the PromiWIN™ configuration program by clicking the program icon under **Start/Programs/PromiWIN™**.
3. Please open **PromiWIN → PromWIN configuration** menu to set up the PromiWIN to be matched with Promi-ESD.



Check COM port number of your PC where Promi-SD is plugged in.
Check BaudRate/Parity/StopBit. Users need to select the correct configuration value of Promi-ESD to start.
Default Setting of Promi-ESD: 9600/NoParity/ One Stop bit. Users may NOT change the configuration of Promi-ESD, the job should be done at **DeviceSetting** menu

4. Select **Promi-SD → Start Configuration** in the menu. **Information** will be displayed as shown in Figure 1.

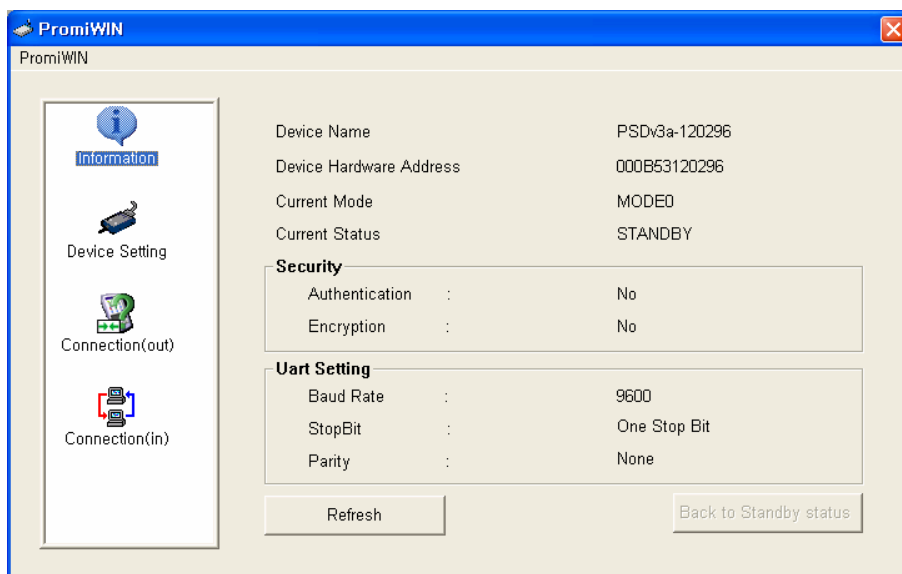


Figure 1

Device Name: Shows default device name of Promi-SD. Ex) PSDv3a-120296

PSDv3a means the version of firmware of Promi-SD.

Users may change the Device name at Device Setting page.

Device Hardware Address: Default Bluetooth Device Address.

Current Mode: This show current operation MODE of Promi-SD.

Current Status: Status of Promi-SD operation: Standby / Pending/ Connect.

Security: This shows current Security setting values.

Uart Setting: Shows current setting of UART. If users want to change Baud Rate/ StopBit/ Parity, please go to **Device Setting** page.

5. Click the 'Device Setting' icon in the list control box.

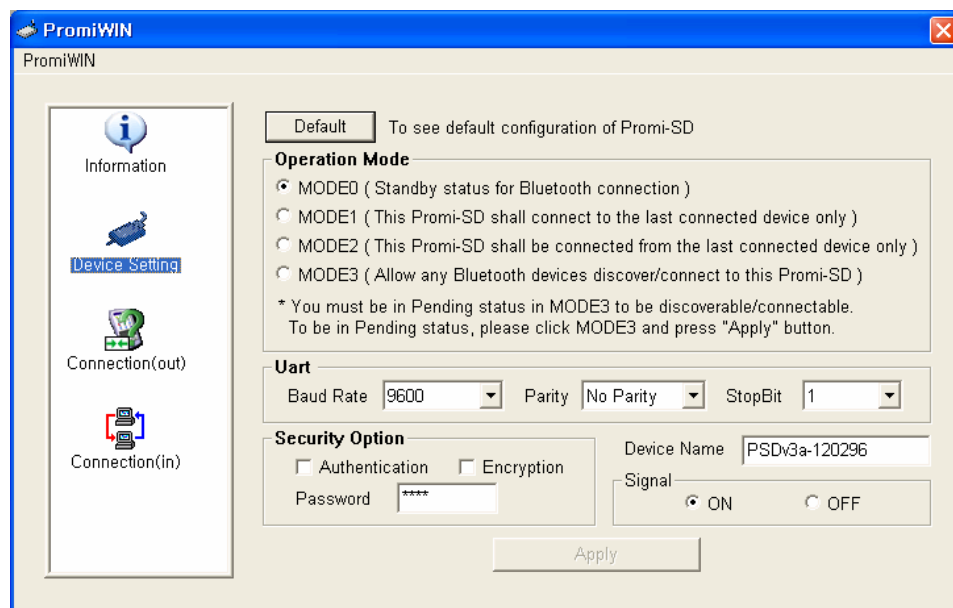


Figure 2.

Operation Mode:

Mode0: Default Mode to set up Bluetooth connection

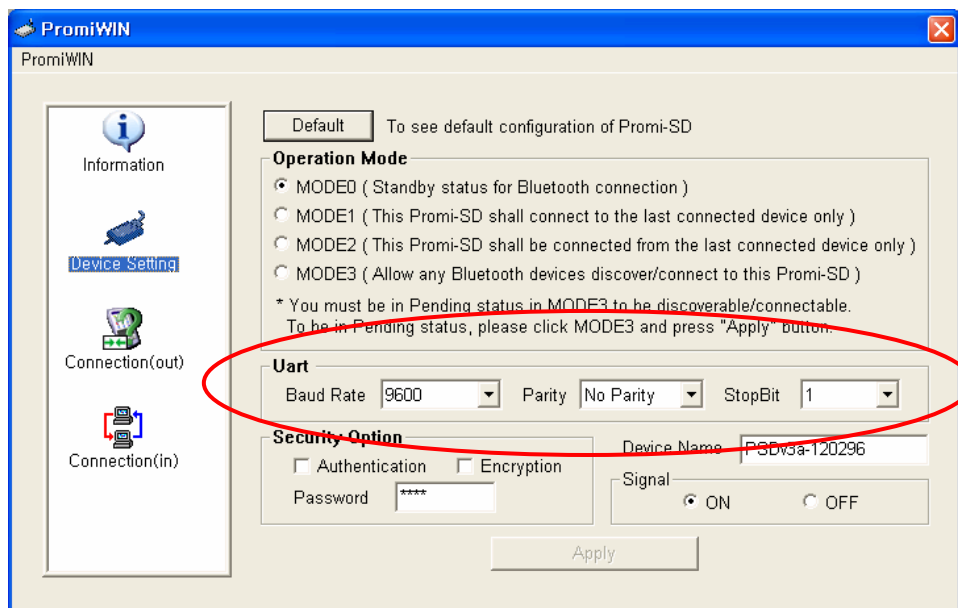
Mode1: Mode1 & Mode 2 are for secure connection. Promi-SD that has been set to Mode1 will try connection to the last connected device only.

Mode2: Promi-SD that has been set to Mode2 will wait fro connection from

the last connected device only.

Mode3: In Mode3, Promi-SD will be discoverable/connectable by any kind of Bluetooth devices. If users want to make a connection between Promi-SD and other Bluetooth CF cards or USB dongles, please set Mode3. For more information, please refer to the Trouble shooting guide of this manual.

***Promi-SDs which are paired using Mode1 & Mode2 will be automatically connected, unless Mode setting is changed.**



Uart: To change the Baud rate/Parity/StopBit, please use this Uart setting menu.

***NOTE:** Please do not confuse with PromiWIN configuration menu. PromiWIN configuration menu will only set the configuration of PromiWIN. To Change the configuration of Promi-SD, users must use this Uart setting menu in Red circle above.

Security Option: Users may set the security option. Authentication/ Encryption/ password.

Device Name: Users may change the device name to be more friendly.

Signal: If users want to remove the response signals from Promi-SD, such as OK, CONNECT, DISCONNECT, ERROR on each events, users may

turn off the signal here. This can be done by ATS10=n command.

6. Click the 'Connection(in)' icon in list control box. Check both options and then click the 'Start' button as shown in Figure 3. The SD1 now starts INQUIRY SCAN and PAGE SCAN operations. During the operation, the STATUS LED will flash green, twice every 3 seconds.

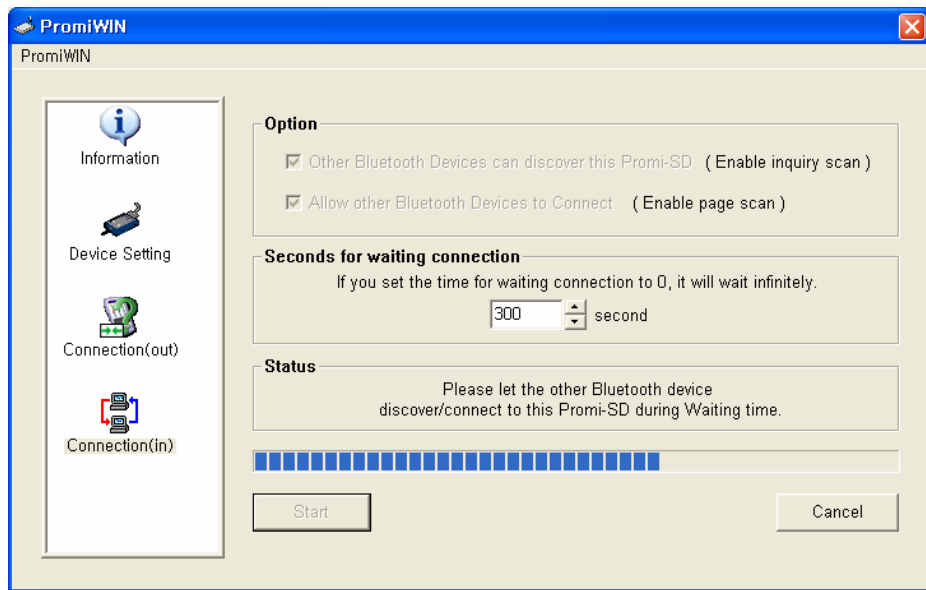


Figure 3.

7. After the INQUIRY SCAN and PAGE SCAN setting of the SD1 is finished , please plug out SD1. **Then plug in another SD to connect to SD1, SD2, may be connected to the host.**
-
8. Select PromiWIN™ and repeat the preceding procedure for **SD2**
 9. Select the 'Connection(out)' icon in the list control box and click the search button.
 10. Now the additional SD2 enters INQUIRY operation.

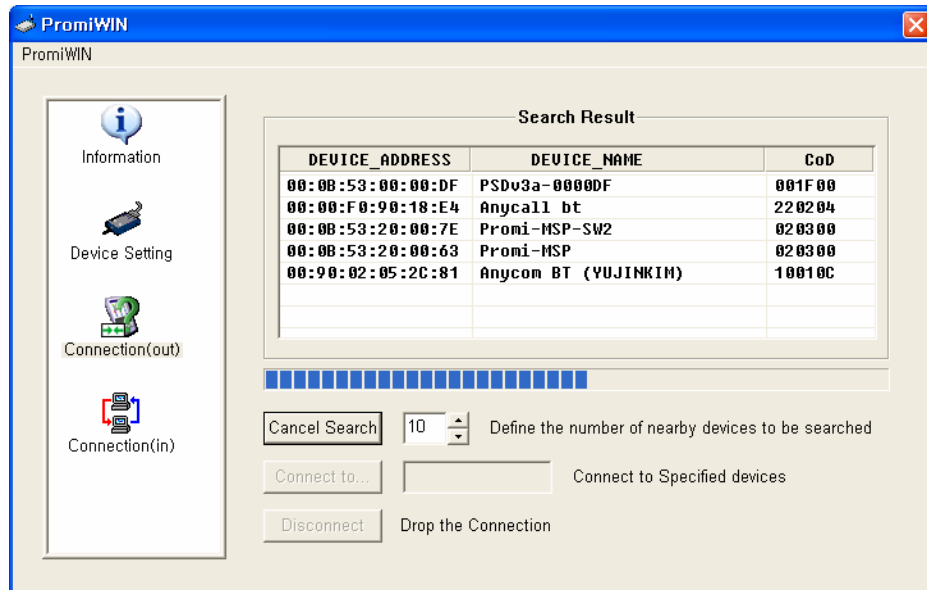


Figure 4.

11. From the 'Search Result' menu click the item with 'Promi-SD1' as its DEVICE_NAME.
12. Once selected, its BD_ADDR will appear in the dialog box on the right side of the 'Connect to...' button.
13. Click the 'Connect to...' button and the 'Successful Connection' Popup box will appear as shown in Figure 5.

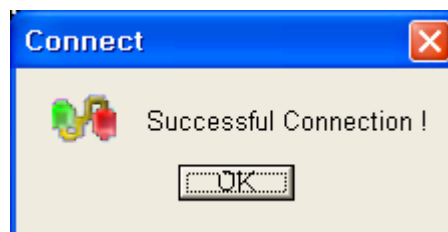


Figure 5.

14. To release the first Bluetooth wireless connection between the SD units click the 'Disconnect' button.
15. [For automatic connection setup, set SD1 as Mode 2 and SD2 as Mode 1.](#)

To utilize the SD automatic connection feature, make a Bluetooth connection between two SD units. Once connected, one SD stores the 48-bit BD_ADDR of its counterpart.

To expedite the 48-bit BD_ADDR input operation, SD is designed to store the BD_ADDR of its latest counterpart.

3.1.2 Setting Operating Mode for Automatic Connection

New SD units are default set to 'MODE 0'. For SD automatic connection change the operating mode of an SD to MODE 1 and another to MODE 2. The following simple steps describe the SD operating mode change procedure.

1. After making a Bluetooth wireless connection between two SD units, set the operating mode of one SD to MODE 1, as shown in Figure 6.

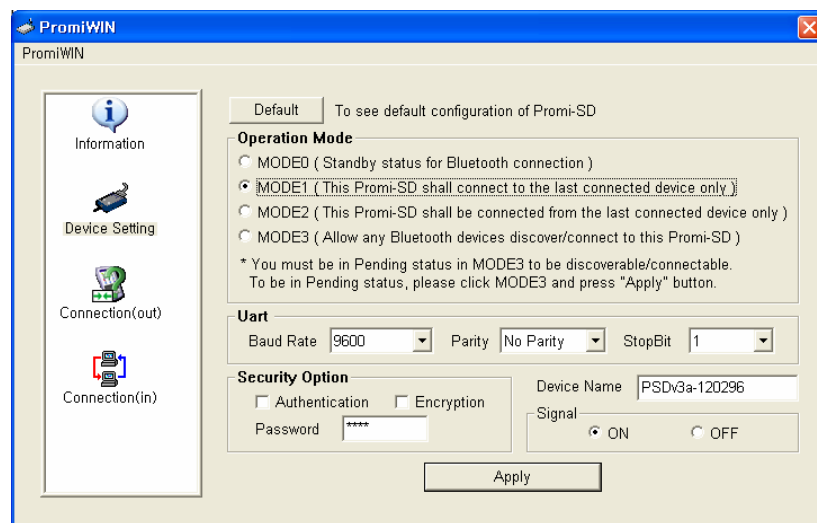


Figure 6.

2. Set the operating mode of another SD to MODE 2 as shown below.

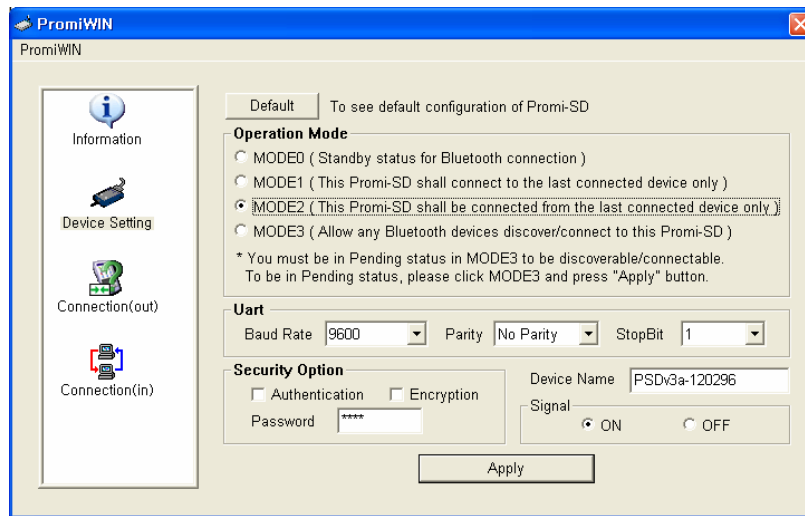


Figure 7.

3. Turn off both SD power supplies. From now, when both SD units are powered up again, they will automatically connect. (To release this feature, reset both SD units. Amber SD STATUS LED indicates successful reset process.)

3.2. Using a Terminal Program

Promi-SD™ units are easily controlled and configured via PromiWIN™. Likewise functions are accomplished via any terminal program such as HyperTerminal. AT command sets supported by Promi-SD™ add sophistication to Promi-SD™ control.

3.2.1 Connecting Promi-SD™ to host.

For SD use, follow the simple instructions below:

1. Connect an SD to a host serial port. Then, turn on the SD.
2. Check the STATUS LED color. Amber indicates standard mode.

3. Execute any terminal program and activate Local Echo.
4. Configure the host serial port to match the SD unit configuration. The SD default configuration is 9600 bps Baud, 8 Data bit, No Parity, 1 Stop bit and H/W flow control.
5. Enter 'AT' command at the prompt. An SD 'OK' reply indicates proper operation.

3.2.2 Making the first Promi-SD™/Bluetooth connection

As stated before, Bluetooth wireless connections can be made with any other Bluetooth device supporting Bluetooth SPP (Serial Port Profile). For Bluetooth wireless connections to an SD, first make another SD '*Discoverable*' and '*Connectable*'. In this case, refer to section 3.3 before following the instructions below.

1. First check the status of the SD by entering 'AT+BTINFO?'. The SD response is comprised of BD_ADDR, Device Name, Operating Mode, Operating Status, Authentication and Encryption flags. To make connection to other Bluetooth devices, the operating status of the first SD should be 'STANDBY'. A 'PENDING' operating status of the first SD indicates the unit is busy with another operation. In this case, cancel the ongoing operation by entering the 'AT+BTCANCEL' command.

```
AT+BTINFO?  
000B530000A9,PSDv2g-0000A9,MODE0,STANDBY,0,0  
  
OK
```

2. Search other local Bluetooth devices by entering the 'AT+BTINQ?' command.

```
AT+BTINQ?  
000B53000080,PSDv2g-000080,001F00  
  
0004B300E205,AP2002:1 #0,020300  
  
OK
```

3. Check the search list. Enter 'ATD' command in the BD_ADDR of any Bluetooth device for connection. During the connection process, the STATUS LED will flash green every second.
4. Connection is indicated by the SD returning a 'CONNECT' message and displaying a green STATUS LED.

```
ATD000B53000080  
OK  
  
CONNECT
```

3.2.3 Making Promi-SD™ do INQUIRY SCAN and PAGE SCAN

Unlike many Bluetooth serial dongles, the SD has an internal, rechargeable battery. As stated before, to maximize battery life, the SD INQUIRY SCAN and PAGE SCAN is set to disabled in manufacture. Therefore, to make the SD “Discoverable” (INQUIRY SCAN) and “Connectable” (PAGE SCAN), these operations must be manually activated.

1. Check the SD status by entering a 'AT+BTINFO?' command.

```
AT+BTINFO?  
000B530000A9,PSDv2g-0000A9,MODE0,STANDBY,0,0  
  
OK
```

2. Enter the 'AT+BTSCAN' command. The SD will start INQUIRY SCAN and PAGE SCAN operation. During the process, the SD will flash twice every 3 seconds until it is connected to another Bluetooth device.

```
AT+BTSCAN  
OK
```

3. Try Bluetooth connection to the SD from the other Bluetooth device. Once connected the first SD will return the 'CONNECT' message and the STATUS LED will display a continuous green without flashing.

```
AT+BTSCAN  
OK  
  
CONNECT
```

3.2.4 Releasing the existing Bluetooth connection

Once connected successfully, the SD becomes transparent to any serial applications on hosts. Data may be transferred within the radio range of the SD. According to SD terminology, this operating status is called 'ONLINE STATUS'. In ONLINE STATUS, all AT commands are treated as characters and are ignored by the command interpreter of the SD. Therefore to escape from ONLINE STATUS enter escape string '+++'.

1. Transition from ONLINE STATUS to STANDBY STATUS by entering '+++' string to the SD. Check the current SD status by entering the 'AT+BTINFO?' command. The SD status should display CONNECT STATUS.

```
+++  
OK  
AT+BTINFO?  
000B530000A9,PSDv2g-0000A9,MODE0,CONNECT,0,0  
  
OK
```

2. Release the current Bluetooth connection by entering 'ATH' command. Once disconnected successfully, the SD returns the 'DISCONNECT' message.

```
ATH  
OK  
  
DISCONNECT
```

3.2.5 Automatic connection of two Promi-SD™ Units

Two SD units connect automatically when powered up. For automatic SD connection first make a Bluetooth connection between two SD units. Once connected, the SD stores the 48-bit BD_ADDR of its counterpart. To expedite 48-bit BD_ADDR input operation, the SD is designed to store the BD_ADDR of its latest counterpart.

1. Set one SD to do INQUIRY SCAN and PAGE SCAN operation as directed in

section 3.3.

2. Set the other SD to connect to the SD in the previous step.
3. Once connected successfully, both SD units store the BD_ADDR of their counterpart in their internal Flash. When desired, release the connection as directed in section 3.4.
4. Set the operating mode of one SD to MODE 1 by entering an 'AT+ BTMODE' command as shown below.

```
AT+BTMODE,1
OK
```

5. Set the operating mode of the other SD to MODE 2 by entering an 'AT+BTMODE' command as show below.

```
AT+BTCANCEL
OK
AT+BTMODE,2
OK
```

6. Turn both SD units power off. The SD pair will connect automatically when they are powered up again.
7. To release this paring, set them to MODE 0 by entering 'AT+BTMODE, 0'. or reset the units by pressing the RESET button.

```
AT+BTMODE,0
OK
```

3.2.6 AT command vs. Operational Status

The AT command sets listed above can be executed per Promi-SD™ operational status. The following table shows the operational status and executable AT command sets.

AT Command	Standby	Pending	Online
AT<cr>	√	√	
ATZ<cr>	√	√	
AT+BTINQ?<cr>	√ ⁽¹⁾		
ATD112233445566<cr>	√ ⁽¹⁾		
ATD<cr>	√ ⁽¹⁾		
AT+BTSCAN,n<cr>	√ ⁽¹⁾		
AT+BTSCAN,112233445566<cr>	√ ⁽¹⁾		
AT+BTCANCEL<cr>		√	
+++			√
ATO<cr>	√ ⁽²⁾		
ATH<cr>	√ ⁽²⁾		
AT+BTAUTH,Auth,Encr<cr>	√ ⁽³⁾		
AT+BTMODE,n<cr>	√ ^(3) 4)		
AT+BTNAME="Name"<cr>	√ ⁽³⁾		
AT+BTKEY="nnnn"<cr>	√ ⁽³⁾		
ATS10=0 or ATS10=1			
AT+BTINFO?<cr>	√	√	
AT+UARTCONFIG,b,p,s<cr>	√ ^(3) 4)		

- 1) Effective when Promi-SD™ is not in connection with Bluetooth.
- 2) Effective when Promi-SD™ is in connection status with Bluetooth.
- 3) Recommend to be used when Promi-SD™ is not in connections status with Bluetooth
- 4) To apply new values to Promi-SD™, software reset requires by ATZ command or restart Promi-SD™.

***NOTE: Full AT commands set can be found in Appendix B.**

4. For Multi-Serial Connections

4.1 Promi-MSP™

For multiple serial connections, we recommend Promi-MSP™. Promi-MSP™ has 7 default Bluetooth connections and can be expanded to up to 14 connections.

More information on Promi-MSP™ can be found in its User Manual at www.initium.co.kr



<Fig. 7.1.1 Promi-MSP™>

5. Legal Notice

About this Document

This document provides introductory instructions on how to set up and manage Promi-SD™ within your networking environment. Should you require more information, please refer to Initium website at <http://www.initium.co.kr>.

Trademark Acknowledgements

The Bluetooth trademarks are owned by their proprietor and used by Initium Co., Ltd. under license. Promi™ is a registered trademark of INITIUM.

Copyright Information

The unauthorized copying of materials that are covered by copyright and other international proprietary or intellectual property rights is prohibited in most countries. Initium Co., Ltd. recommends that the users of this equipment seek the necessary authorizations for copying material. The instructions for use in the manual shall not be considered as an inducement to make illicit duplications of material. Any duplication will be made at user's own risk.

Maintenance and Support

Every care has been taken in the preparation of this manual; if you detect any inaccuracies or omissions, please inform us by contacting Intium's technical support. Initium Co., Ltd. cannot be held responsible for any technical or typographical errors and reserves the right to make changes to the product and manuals without any prior notice.

Limited Warranty

Promi-SD™

Initium Co., Ltd. warrants the original owner that the products delivered will be free from defects in material and workmanship for 90 days following the date of purchase. These warranty doses not cover any damage attributable to erroneous installation of the product.

INITIUM'S TOTAL LIABILITY IS LIMITED TO THE PRICE/LICENSE FEE ACTUALLY

PAID BY PURCHASER TO INITIUM FOR THE PRODUCT WITH RESPECT TO WHICH LOSSES OR DAMAGES ARE CLAIMED.

IN NO EVENT SHALL INITIUM OR ITS LICENSOR AND SUPPLIERS BE LIABLE FOR ANY INDIRECT, INCIDENTAL OR CONSEQUENTIAL LOSSES OR DAMAGES OF ANY NATURE WHATSOEVER, INCLUDING, BUT NOT LIMITED TO, LOSS OF DATA OR DATA BEING RENDERED INACCURATE, LOSSES SUSTAINED BY YOU OR THIRD PARTIES SUCH AS LOSS OF BUSINESS, LOSS OF PROFITS, BUSINESS INTERRUPTION OR PERSONAL INJURY, EVEN IF INITIUM OR ITS LICENSORS OR SUPPLIERS HAS BEEN ADVISED OF THE POSSIBILITY OF SUCH DAMAGES.

This warranty does not cover replacement of products damaged by abuse, accident, misuse, neglect, alteration, repair, disaster, improper installation or improper testing.

6. About this Manual

This manual is available in a printable PDF version on-line and on the CD enclosed in the Promi-ESD-02 product package.

For additional support related to Promi-ESD-02 and this document, contact INITIUM via:

INITIUM Co., Ltd.

**#716, Kumgang-Hitech Valley, 133 Sangdaewon, Jungwon, Sungnam,
Kyunggi, 462-120, Korea**

Tel.: +82-31-777-5703

Fax: +82-31-777-5704

OR

www.initium.co.kr

OR

Email: info@initium.co.kr

Appendix A: AT command sets

The following AT command sets are supported by Promi™-SD. Here <cr> represents carriage return of ASCII Code (0x0D) and <lf> represents line feed of ASCII Code (0x0A).

AT<cr>

Function : Check the presence of your SD.

Response : <cr><lf>OK<cr><lf> or
<cr><lf>ERROR<cr><lf>

Description : In standard mode, you can check whether your SD is connected to a host correctly by using this AT command.

ATZ<cr>

Function : Do soft-reset

Response : <cr><lf>OK<cr><lf> or
<cr><lf>ERROR<cr><lf>

Description : You can do soft-reset by using this AT command. When your SD is already connected to the other device, it disconnects the connected device. You can halt the current ongoing operation by using this command.

AT&F<cr>

Function : Restore the default configuration of your SD.

Response : <cr><lf>OK<cr><lf> or
<cr><lf>ERROR<cr><lf>

Description : You can restore the default configuration of your SD by executing this AT command.

AT+BTINQ?<cr>

Function : Search (INQUIRY) other Bluetooth devices nearby.

Response : <cr><lf>BD_ADDR, Device Name , Class of Device<cr><lf>
<cr><lf>BD_ADDR, Device Name , Class of Device<cr><lf>
...
<cr><lf>BD_ADDR, Device Name , Class of Device<cr><lf>
<cr><lf>OK<cr><lf>

Description : This command is used to inquiry other Bluetooth devices nearby. The INQUIRY process is carried out during the predefined time duration (30

seconds). The maximum number of INQUIRY result is 10.

ATD BD_ADDR <cr>

Function : Make connection with the given BD_ADDR.

Response : <cr><lf>OK<cr><lf>
<cr><lf>CONNECT<cr><lf>
or
<cr><lf>OK<cr><lf>
<cr><lf>ERROR<cr><lf>.

Description : After getting BD_ADDRs, you can make connection to other Bluetooth device by using this AT command. Once you input this command, SD tries to connect the Bluetooth device with the given BD_ADDR for 5 minutes. The connection failure happens when a Bluetooth device with the given BD_ADDR is not in PAGE SCAN mode or is already connected to other Bluetooth device.

ATD<cr>

Function : Make connection with a Bluetooth device connected most recently.

Response : <cr><lf>OK<cr><lf>
<cr><lf>CONNECT<cr><lf>
or
<cr><lf>OK<cr><lf>
<cr><lf>ERROR<cr><lf>.

Description : If you execute this AT command, your SD make connection with a Bluetooth device which your SD connect most recently. To make this AT command work successfully, there should be at least one successful connection to the other Bluetooth you want to connect.

AT+BTSCAN <cr>

Function : Make your SD do INQUIRY SCAN and PAGE SCAN alternately.

Response : <cr><lf>OK<cr><lf>
<cr><lf>CONNECT<cr><lf>

Description : You can force your SD to do INQUIRY SCAN or PAGE SCAN alternately with this AT command. Your SD does INQUIRY SCAN and PAGE SCAN until it has a connection from other Bluetooth device. Once connected, your SD returns 'CONNECT' message. You can use 'AT+BTCANCEL' to cancel this operation. This AT command has the same effect of 'AT+BTSCAN,3,0'.

AT+BTSCAN, n, to<cr>

Function : You can force your SD to do INQUIRY SCAN or PAGE SCAN.

Response : <cr><lf>OK<cr><lf>
<cr><lf>CONNECT<cr><lf>
or
<cr><lf>OK<cr><lf>
<cr><lf>ERROR<cr><lf>

Description : To make SD to be *Discoverable* and *Connectable* from other Bluetooth devices, you should set its INQUIRY SCAN and PAGE SCAN. To make your SD do INQUIRY SCAN only, you should set n as 1. To make your SD do PAGE SCAN only, you should set n as 2. When n is set to 3, your SD does INQUIRY SCAN and PAGE SCAN alternately. Here, 'to' indicates the time out interval of INQUIRY SCAN and PAGE SCAN operations. If you set 'to' to '0', your SD does INQUIRY SCAN and PAGE SCAN until it has a connection from other Bluetooth device. Your SD returns 'CONNECT' message when it is connected from other Bluetooth device within the given time out intervals. Otherwise, it returns 'ERROR' message.

AT+BTSCAN, BD_ADDR, to<cr>

Function : Wait Bluetooth connection from a device with given BD_ADDR.

Response : <cr><lf>OK<cr><lf>
<cr><lf>CONNECT<cr><lf>
or
<cr><lf>OK<cr><lf>
<cr><lf>ERROR<cr><lf>

Description : Once you enter this AT command, your SD does PAGE SCAN. However, it waits a connection from a Bluetooth device with the given BD_ADDR. This process lasts during 'to' time interval. Especially when 'to' has value of '0', your SD waits connection infinitely.

AT+BTCANCEL<cr>

Function : Cancel currently ongoing operation of your SD.

Response : <cr><lf>OK <cr><lf>

Description : This AT command works only when your SD is busy in doing 'AT+BTSCAN', 'ATD' or 'AT+BTINQ?'. Once canceled successfully, your SD will become

STANBY STATUS'.

+++

Function : Make transition from ONLINE STATUS to STANDBY STATUS.

Response : <cr><lf>OK <cr><lf>.

Description : If you input '+++' string to your SD in ONLINE STATUS, your SD goes into STANBY STATUS. Once SD enters into STANDBY STATUS, you can use any AT command sets supported by Promi™-SD.

ATO<cr>

Function : Make transition from STANBY STATUS to ONLINE STATUS.

Response : None

Description : This AT command is the counter operation of '+++'. You can change the operating status to ONLINE STATUS again by using this command. In ONLINE STATUS, the data can be transferred between two hosts. The existence of your SD becomes transparent to any host applications which use serial ports.

ATH<cr>

Function : Release the current Bluetooth connection.

Response : <cr><lf>OK<cr><lf>
<cr><lf>DISCONNECT <cr><lf>.

Description : This AT command can be used for disconnecting the existing Bluetooth connection.

AT+BTSEC, Authentication, Encryption <cr>

Function : Set Bluetooth authentication or encryption features selectively.

Response : <cr><lf>OK<cr><lf>.

Description : By using this AT command, you can set authentication or encryption feature of your SD during Bluetooth connection process. Once you set authentication or encryption features, your SD stores its status. To release authentication or encryption features you set, you should use this AT commands or do soft-reset. To enable authentication or encryption, set authentication or encryption parameter as 1. Otherwise set either of them as 0.

AT+BTLAST?<cr>

Function : Return BD_ADDR of the Bluetooth device to your host which your SD is connected most recently.

Response : <cr><lf>BD_ADDR<cr><lf>
<cr><lf>OK< cr><lf>

Description : You can use this AT command if you need to refer the BD_ADDR of most recently connected Bluetooth device.

AT+BTMODE, n<cr>

Function : Set the operating mode of your SD.

Response : <cr><lf>OK<cr><lf>

Description : Your SD has 4 different operating mode. According to the current operating mode you set, your SD behavior differently.

- n=0 : This means your SD is in MODE 0. MODE 0 is the default configuration.
- n=1 : In MODE 1, your SD will try to make connection to most recently connected Bluetooth device.
- n=2 : In MODE 2, your SD will wait connection from most recently connected Bluetooth device.
- n=3 : IN MODE 3, your SD does INQUIRY SCAN and PAGE SCAN alternately.

AT+BTNAME="FriendlyName"<cr>

Function : Assign user friendly device name to your SD.

Response : <cr><lf>OK<cr><lf>

Description : You can assign your SD user friendly name by using this AT command. With the assigned name, you can distinguish your SD easily from other Bluetooth devices. Up to 32 characters are permitted as user friendly name.

AT+BTKEY="nnnn"<cr>

Function : Change the passkey.

Response : <cr><lf>OK<cr><lf>

Description : When the authentication is enabled in your SD, you should assign passkey. Two Bluetooth devices which are to be connected should have the same passkey. The default passkey of your SD is '1234'. You can assign maximum 16 alphanumeric characters as a passkey.

AT+BTINFO?<cr>

Function : Return the internal status of your SD.

Response : <cr><lf>BD_ADDR,Name,Mode,Status,Auth,Encryp<cr><lf>
<cr><lf>OK<cr><lf>

Description : When you enter this AT commands at a host terminal, your SD returns its device information and status to a host. It encompasses BD_ADDR, user friendly name, operating mode, operating status and authentication/encryption status. Especially when the operating status is PENDING, it means your SD is busy in processing 'AT+BTINQ?', 'ATD' or 'AT_BTSCAN'. When Authentication or Encryption feature is activated, the corresponding parameter has value of '1'.

AT+BTLPM,n<cr>

Function : Set Bluetooth Low power consumption mode.

Response : <cr><lf>OK<cr><lf>

Description : To minimize power consumption, your SD supports Bluetooth PARK mode. When you set n as 1, your SD uses PARK mode. Using PARK mode might cause extra data transmission delay in some cases.

AT+BTSD?<cr>

Function : Return the list of secured devices.

Response : <cr><lf>BD_ADDR<cr><lf>
<cr><lf>BD_ADDR<cr><lf>
...
<cr><lf>BD_ADDR<cr><lf>
<cr><lf>OK<cr><lf>

Description : Your SD can pair up to 5 Bluetooth devices. Upon receiving this AT command, your SD returns all the BD_ADDRs of the previously paired Bluetooth devices.

AT+BTCSD<cr>

Function : Delete the info of all the paired devices stored in your SD.

Response : <cr><lf>OK<cr><lf>

Description : This AT command just deletes the info of paired devices stored on SD's Flash memory. To delete the same info resides on SD's RAM, you have to do software reset or hardware reset.

AT+BTFP,n<cr>

Function : Force your SD to generate passkey automatically.

Response : <cr><lf>OK<cr><lf>

Description : Once paired, your SD uses the stored link key. By using this AT command, you can make Bluetooth connection with a new link key. When n is set to 1, your SD newly generates a link key during connection process.

AT+UARTCONFIG, baudrate, parity, stopbit<cr>

Function : Configure the serial port of your SD.

Response : <cr><lf>OK<cr><lf>

Description : By using this AT command, you can reconfigure the serial port of your SD. You can set baudrate, parity, stopbit . To make this command result active, you should do soft-reset or turn off/on your SD. The following values are permitted for each parameter.

- Baudrate = 9600, 19200, 38400, 57600 or 115200.
- Parity = N (No parity), E (Even parity) or O (Odd parity).
- Stopbit = 1 or 2.

Full AT commands set

No.	Command	Response	Comments
1)	AT<cr>	<cr><lf>OK<cr><lf>	
2)	ATZ<cr>	<cr><lf>OK<cr><lf>	Drops all connections, disable Inquiry and Page scans. Reset the bluetooth module.
3)	AT&F<cr>	<cr><lf>OK<cr><lf>	Reset to factory default state
4)	AT+BTINQ?<cr>	<cr><lf>1122334455,FriendlyName,CoD<cr><lf> <cr><lf>1122334455,FriendlyName,CoD<cr><lf> <cr><lf>1122334455,FriendlyName,CoD<cr><lf> <cr><lf>OK<cr><lf>	Inquiry nearby devices. The OK at the end means end of inquiry.
5)	ATD112233445566<cr>	<cr><lf>OK<cr><lf> <cr><lf>CONNECT<cr><lf> or <cr><lf>ERROR<cr><lf>	Connect to the specified device. If you want to enable Authentication and Encryption, just set variable as 1.
6)	ATD<cr>	<cr><lf>OK<cr><lf> <cr><lf>CONNECT<cr><lf> or <cr><lf>ERROR<cr><lf>	Connect to the device that last successfully connected.
7)	AT+BTSCAN<cr>	<cr><lf>OK<cr><lf>	Enable inquiry and page scans with timeout of infinity.
8)	AT+BTSCAN,n,to<cr>	<cr><lf>OK<cr><lf>	Enable inquiry or Page scans. If n=1, disable page and enable inquiry. If n=2, enable page and disable inquiry. If n=3, enable both page and inquiry.

			Scan will be performed during <to> seconds.
9)	AT+BTSCAN112233445566,to<cr>	<cr><lf>OK<cr><lf>	Will scan of only specified device.
10)	AT+BTCANCEL<cr>	<cr><lf>OK<cr><lf>	cancel the current pending operation when the device is inquiring, paging or scanning mode.
11)	+++	<cr><lf>OK<cr><lf>	Drop from online mode to command mode.
12)	ATO<cr>	<cr><lf>OK<cr><lf>	Return to online mode if currently being connected.
13)	ATH<cr>	<cr><lf>OK<cr><lf>	Drop the connection.
14)	AT+BTSEC,Authentication,Encryption<cr>	<cr><lf>OK<cr><lf>	Same as AT+BTAUTH
15)	AT+BTLAST?<cr>	<cr><lf>OK<cr><lf>	Query the bd-address of last connected device
16)	AT+BTMODE,n<cr>	<cr><lf>OK<cr><lf>	Sets the mode of device. If n=0, device operates at Standart mode which accepts all AT commaned supported. If n=1, device operates at Master mode which try to connect peer device. If n=2, device operates at Slave mode which waiting for connection. If n=3, device operates at always connectable mode.
17)	AT+BTNAME="FriendlyName"<cr>	<cr><lf>OK<cr><lf>	Sets the friendly name of this unit.
18)	AT+BTKEY="nnnn"<cr>	<cr><lf>OK<cr><lf>	Sets the Passkey of this unit. Up to 16 characters.
19)	AT+BTINFO?<cr>	<cr><lf>112233445566,FriendlyName,Mode,State,Authent ication,Encryption< cr><lf> <cr><lf>OK<cr><lf>	Retrieve local device information including BD address, Friendly name, mode of device, internal operation state and status of authentication and encryption features.

20)	AT+BTLPM,n<cr>	<cr><lf>OK<cr><lf>	Enable or disable the low power mode of dongle. n = 1 or 0
21)	AT&V<cr>	<cr><lf>S0: m0;S1: m1; ... Sn: mn<cr><lf> <cr><lf>OK<cr><lf>	View all the values of internal S- registers
22)	AT+BTSD?<cr>	<cr><lf>bdaddr of secured device 1<cr><lf> <cr><lf>bdaddr of secured device 1<cr><lf> <cr><lf>OK<cr><lf>	Query the bd-addresses of secured devices
23)	AT+BTCSD<cr>	<cr><lf>OK<cr><lf>	Clear the list of secured devices
24)	AT+BTFP,n<cr>	<cr><lf>OK<cr><lf>	Force paring when connecting as master
25)	AT+UARTCONFIG,baudrate,parity,stopbit<cr>	<cr><lf>OK<cr><lf>	Sets the configuration of UART interface. Possible values are; baudrate =1200,4800,9600,19200,38400,57600 or 115200. parity = N(o parity), E(ven parity) or O(dd parity). stop = 1 or 2.
26)	AT+SETESC,nn<cr>	<cr><lf>OK<cr><lf>	Sets the escape sequence character. 'nn' should be ASCII code (Decimal), and printable character. Default escape character is '+++'
27)	AT+PINQ?<cr>	<cr><lf>OK<cr><lf>	For Periodic Inquiry. Promi-SD will try to inquire nearby Bluetooth devices periodically and deliver the inquired result to Host. To lease periodic inquiry function, AT+BTCANCEL.

28)	AT&V	Shows S-register values
-----	------	-------------------------

S-register command: If you change the values of S-register, please reboot Promi-SD.

ATSnn=mm<cr>: To change ATSnn register value

ATSnn?: To check current ATSnn register value.

29)	ATS3	Stream UART policy (Default 0) If set as '0', throughput is the priority, if set as '1', Latency is the priority.
30)	ATS4	Enable Remote name query (default 1) Get BAddress and device name during Inquiry. If set as '0', only get BD address. Inquiry time can be faster.
31)	ATS10	Default 1 ATS10=1<cr> : Enabling all of the response messages- OK, CONNECT, DISCONNECT, and ERROR. ATS10=0<cr> : Disabling all of the response messages- OK, CONNECT, DISCONNECT, and ERROR. ATS10?<cr> : To see current status of ATS10
32)	ATS11	Enable Escape (default 1) Escape sequence character enable change from on-line mode to command mode. If set to '0', transmission speed can be improved.
33)	ATS12	Clear UART buffer at Disconnect. (default 0) If set to '1', when disconnected, data stored in Promi-SD will be removed.
34)	ATS13	Enable DCD accept (default 0) If set to '0', Promi-SD will use CDC signal to let Host know Bluetooth connection status. If set to '1', Promi-SD will send CDC signal to other paired Bluetooth device.

35)	ATS14	<p>ATS14=1<cr>: Users may use DTR/DSR lines for communications</p> <p>ATS14=0<cr>: Users may use DTR/DSR lines for Loop-back only.</p> <p>Default value of ATS14 is 0.</p>
36)	ATS15	<p>ATS15=1<cr>:</p> <p>If users set ATS15=1, users may use DTR signal to disconnect Bluetooth connection.</p> <p>If ATS15=1, and DTR signal is changed from state ON to OFF, your connection will be disconnected.</p> <p>ATS15=0<cr>: If ATS15=0, users may NOT use DTR signal to disconnect the Bluetooth connection.</p>
37)	ATS24	Maximum number of inquiry result (default 10)
38)	ATS29	<p>Error Code for last occurred error.</p> <p>Users can not change this value</p>
39)	ATS31	<p>Page Timeout (default 300)</p> <p>Unit: second.</p>
40)	ATS33	<p>Inquiry Timeout (default 30)</p> <p>Unit: second.</p>
41)	ATS46	BD address of last connected device